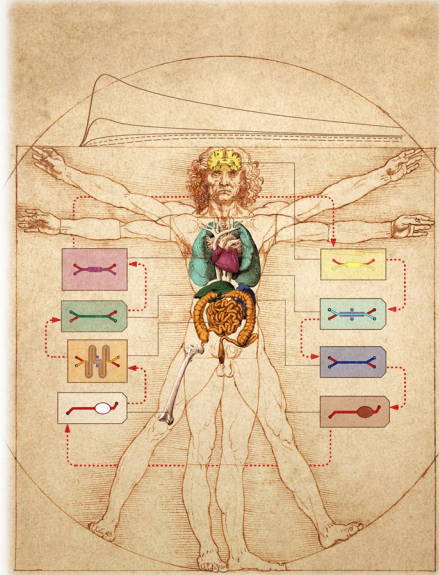


## Advanced *in vitro* Platforms



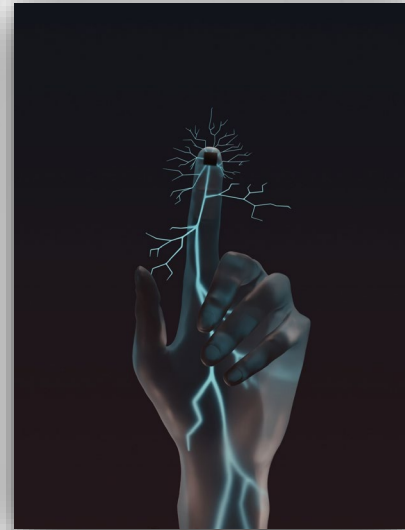
### New tools to study human physiology

Herland\*, Maoz\*, et al. Nature Biomedical Engineering; 2020

Novak\*, Maoz\*, et al. Nature Biomedical Engineering; 2020

Maoz\*, Herland\*, et al. Nature Biotech; 2018

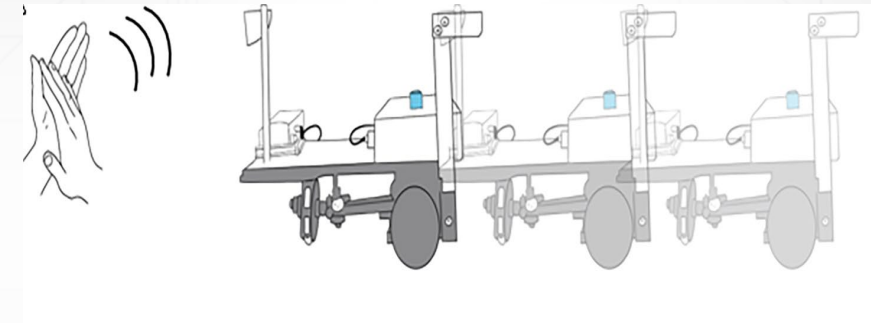
## Integrated Electronics



### Restoring tactile sensation

Divald et al. ACS Nano - 2021

## Bio-sensors



### Bio-Hybrid Robots

Fishel et al. Sensors- 2021